

400-2410-002 EN10



Installation - Operation - Maintenance

Supplementary Instructions for X22-Detectors



Supplementary Instructions for X22-Detectors
Document version: 400-2410-002 EN10
– Translation –

Manufacturer:
GTE Industrieelektronik GmbH
Helmholtzstr. 21, 38-40
41747 Viersen
GERMANY

Support hotline: +49 (0)2162 / 3703-29
E-Mail: service@adicos.de

© 2015 GTE Industrieelektronik GmbH – This document and all figures contained may not be copied, changed, or distributed without explicit approval by the manufacturer!

Subject to technical changes!

Abstract

The *Advanced Discovery System* (in short: *ADICOS*) is used for early detection of fire scenarios in the industrial environment. It comprises different, independent detector units that enable interference-resistant fulfillment of the detection objective defined during planning via suitable layout and parameterization.

The detector units are connected using the *ADICOS M-bus* to a central unit, which enables voltage supply and parameterization of every individual detector, and which stores all sensor data for statistical analyses.

ADICOS X22-Detectors are designed for for operation within explosive atmospheres of ATEX zone 22.

Contents

1	About this manual	3
1.1	Objective	3
1.2	Explanation of symbols	3
1.3	Storing the manual	3
2	Safety instructions	4
2.1	Intended use	4
2.2	Standards and regulations	4
2.3	Personnel qualification	5
2.4	Handling electrical voltage	5
2.5	Modification	5
3	Structure	6
3.1	Overview	6
3.2	Cable assignment	6
3.3	Type plate information	7
4	Installation	8
4.1	Mounting	8
4.2	Wiring	9
5	Commissioning	9
6	Operation	9
7	Maintenance	10
7.1	Detector replacement	10
8	Technical data	10
9	Appendix	11
9.1	ADICOS mounting plate	11

1 About this manual

1.1 Objective

This manual describes the special requirements on installation, wiring, commissioning, and operation of ADICOS detectors for explosive atmospheres of ATEX zone 22. They are exclusively addressed to knowledgeable specialist personnel (→ Chap. 2, *Safety instructions*).

1.2 Explanation of symbols

This manual features a continuous structure for best possible comprehension. The following labels are used.

Warning signs

This manual uses the following information types.

**NOTE!**

This information type provides information directly important for further system operation.

**WARNING!**

This information type signals a danger that can lead to fatal or severe injuries.

**DANGER!**

This information type signals a danger that directly leads to fatal or severe injuries.

1.3 Storing the manual

Store this manual easily reachable and in direct vicinity of the detector system to enable use as needed.

2 Safety instructions

ADICOS detectors for explosive atmospheres of ATEX zone 22 (*short: ADICOS X22-Detectors*) ensure operational safety assuming proper installation, commissioning, operation, and maintenance. For this purpose, it is absolutely required to completely read, understand, and follow this manual and the safety information contained.

**WARNING!**

Installation and operating errors can lead to fatal and severe injuries and damage to the industrial plant.

- **Read and follow this manual carefully!**

2.1 Intended use

ADICOS X22-Detectors are designated for the detection of fire scenarios in explosive atmospheres of ATEX zone 22. In this context, the operating parameters described in Chap. 8, »Technical data« must be met. Any deviating use requires prior consultation with the manufacturer.

Compliance with this manual as well as all applicable country-specific provisions is also part of the intended use.

2.2 Standards and regulations

The safety and accident prevention regulations applicable for the specific application must be observed during detector installation, commissioning, maintenance, and test.

The following standards and directives are of particular importance when handling potentially explosive atmospheres:

Regulation	Description
DIN EN 60079	Explosive atmospheres
DIN EN 60529	Degrees of protection provided by enclosures
DIN EN 60691	ThermaHinks - Requirements And Application Guide
94/9/EC	European ATEX Directive
1999/92/EC	European ATEX Operation Directive
89/686/EEC	European Personal Protective Equipment Directive

2.3 Personnel qualification

Any work on ADICOS systems may only be performed by qualified personnel. Persons, who can perform work on electrical systems and recognize possible dangers based on their professional education, knowledge, and experience as well as knowledge of the applicable provisions, are considered qualified personnel.



WARNING!

Installation, commissioning, parameterization, and maintenance may only be performed by authorized and respectively trained personnel

2.4 Handling electrical voltage



DANGER!

The electronics of ADICOS X22-Detectors works with an electrical voltage that can trigger an explosion in potentially explosive atmospheres.

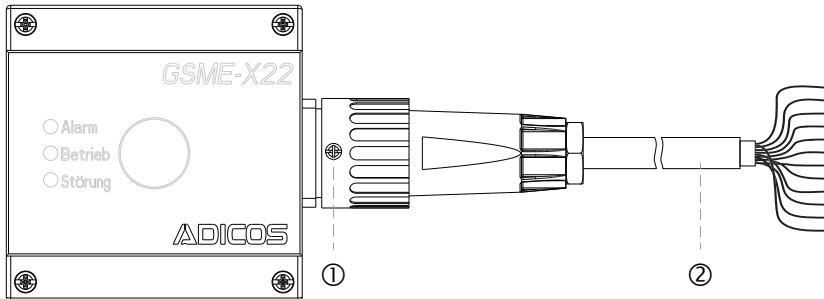
- **Do not open enclosure!**
- **De-energize the entire detector system and secure against unintentionally reactivation for all wiring work!**

2.5 Modification

Any form of unauthorized modifications or extensions are expressly prohibited! In case of doubt, contact the manufacturer.

3 Structure

3.1 Overview



No.	Description
①	Bayonet plug connector locking screw
②	Pre-assembled ADICOS connection cable

3.2 Cable assignment

Color	Signal	Limit value contact
red	Operating voltage 24 ... 40 V DC non-polarized	
black		
yellow	Relay output X6 i	Alarm NO ¹
white	Relay output X6 o	Alarm NO ¹
brown	Relay output X7 o	Fault NC
green	Relay output X7 i	Fault NC
pink	Coupling module B-in	Extension module (<i>optionally factory installed</i>) Alternative: Pre-Alarm relay output
blue	Coupling module A-in	
purple	Coupling module B-out	
gray	Coupling module A-out	
blue/red	M-Bus	
gray/pink	max. 40 V non-polarized	

¹ with series resistor, standard 680 Ω

Coupling module option

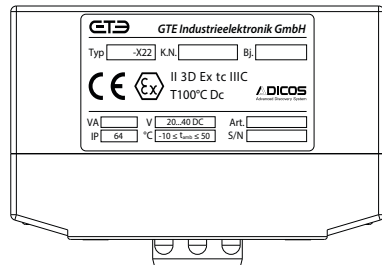
Color	Signal	Siemens FDnet	BOSCH LSNi
pink	Coupling module B-in	FDnet-A (-)	LSN b1 in
blue	Coupling module A-in	FDnet (+)	LSN a in
purple	Coupling module B-out	FDnet-B (-)	LSN b2 out
gray	Coupling module A-out	FDnet (+)	LSN a out

Analog signal option

Color	Signal	Analog signal	Auxiliary relay
pink	Analog signal - protected against polarity reversal	4 ... 20 mA	
blue	Analog signal - protected against polarity reversal	4 ... 20 mA	NC
purple	Analog signal	0 ... 5V 0 ... 10 V	NO
gray	Analog signal	0 V	C

3.3 Type plate information

The type plate of the ADICOS X22-Detectors contains the following information:



NOTE!

Until 12-2014, some ADICOS X22-Detectors have been labeled as ADICOS Ex detectors.

4 Installation

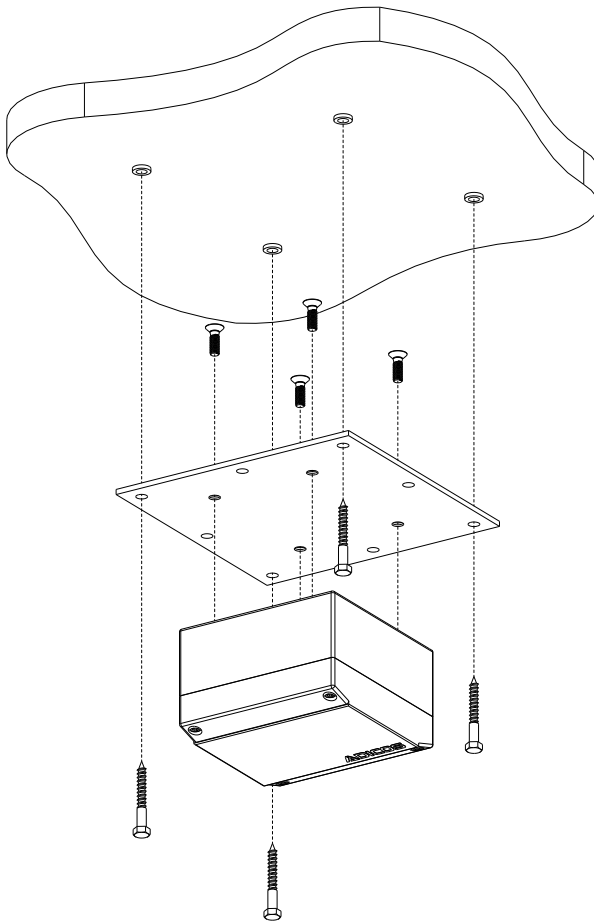
4.1 Mounting



WARNING!

ADICOS X22-Detectors must be mounted with closed enclosure.

- **Do not open enclosure!**
- **Use ADICOS mounting plate!**



4.2 Wiring



DANGER!

The electronics of the ADICOS X22-Detectors works with an electrical voltage that can trigger an explosion in potentially explosive atmospheres.

- **Do not open enclosure!**
- **De-energize the entire detector system and secure against unintentionally reactivation for all wiring work!**
- **In the case of wiring within potentially explosive atmospheres, only use Ex-protected connection boxes with respective approval!**
- **Do not bend connection cable! Observe minimum bending radius!**
(→ Chap. 8, Technical data)

5 Commissioning



DANGER!

The electronics of the ADICOS X22-Detectors works with an electrical voltage that can trigger an explosion in potentially explosive atmospheres.

- **Prior to switching on, check that all detectors are properly mounted and wired!**

6 Operation



DANGER!

The electronics of the ADICOS X22-Detectors works with an electrical voltage that can trigger an explosion in potentially explosive atmospheres.

- **Never open the enclosure or loosen the cable gland during operation!**

7 Maintenance

7.1 Detector replacement



DANGER!

The electronics of the ADICOS X22-Detectors works with an electrical voltage that can trigger an explosion in potentially explosive atmospheres.

- **Do not open enclosure!**
- **De-energize the entire detector system and secure against unintentionally reactivation for all wiring work!**
- **Replace the closed detector including connection cable only!**

8 Technical data

Specifications regarding explosion protection		
Explosion protection class:	°C	II 3D Ex tc IIIc T100°C Dc
Surface temperature:		< 100
Device group:		II, category 3D
Connection cable bending radius	mm	> 7.5 × Ø _{Cable}



NOTE!

ADICOS X22-Detectors are rated **Protection by enclosure "tc"**.

- **An Ex barrier is not mandatory!**

9 Appendix

9.1 ADICOS mounting plate

